

2200-2400 G SERIES



Une puissance unique au pays.

Load Lifter vous offre un chariot élévateur puissant qui offre de hautes performances dans les cours à bois ainsi que dans d'autres industries où des capacités de 6 000 à 12 000 lb sont requises. Contrairement à certains modèles concurrents, il possède un groupe motopropulseur entièrement à composants, ce qui facilite la maintenance de chaque composant. Cette fonction est un équipement standard sur tous les chariots élévateurs tout terrain Load Lifter.

**VOTRE SOLUTION ROBUSTE
POUR VOS BESOINS LES PLUS EXIGEANTS.**

techlift.ca

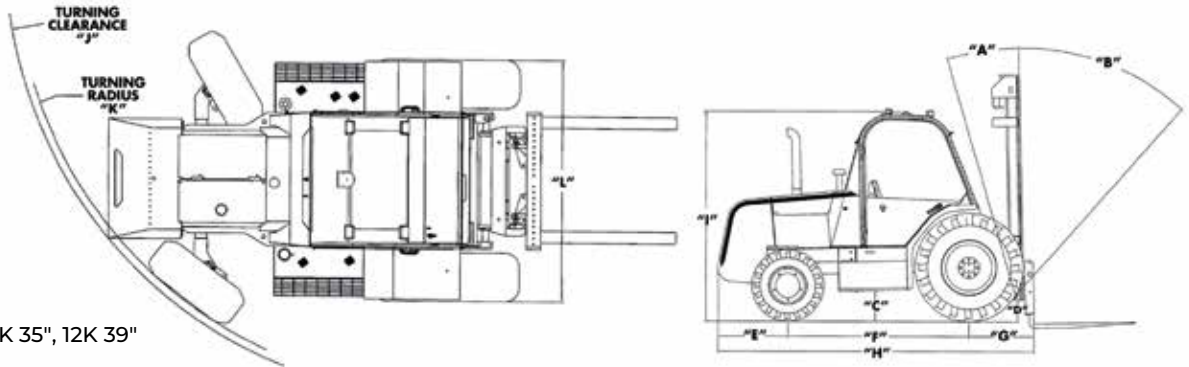
2200-2400 G series

MACHINE APPROX. WEIGHTS

6,000 lb - 6352 kg (14,400 lbs)
 8,000 lb - 7031 kg (15,500 lbs)
 10,000 lb - 8029 kg (17,700 lbs)
 12,000 lb - 8890 kg (19,600 lbs)

MACHINE DIMENSIONS

A (Tilt Back) 14°
 B (Tilt Forward) 24°
 C (Machine Ground Clearance) 15"
 D (Mast Ground Clearance) 12"
 E (Counterweight Overhang) 6-10K 35", 12K 39"
 F (Wheelbase) 83"
 G (C/L Drive Axle to Face of Forks) 34³/₁₆"
 H (Overall Length to Face of Forks) 6-10K 152¹/₄", 12K 156¹/₄"
 I (Overall Height Top of Canopy) 97"
 J (Turning Clearance) 2WD 173¹/₂", 4WD 179"
 K (Turning Radius) 2WD 168", 4WD 175"
 L (Overall Width) 84"



ENGINE

Make FPT F34
Displacement 3,4 Litres (207,5 cu in)
Gross H.P. 74,3 HP (55 KW)
Maximum Torque 291 NM @ 1600 RPM (214,6 lb-ft)
Rated Speed 2500 RPM

TRANSMISSION

Type 4 Speed Synchronmesh with Power Reverser & Torque Converter
Speeds
 1 4,6 km (2,9 mph)
 2 9,6 km (6,0 mph)
 3 17,6 km (11 mph)
 4 29,6 km (19 mph)

FLUID CAPACITIES

Cooling System 11,5 litres / 12,2 Quarts
Engine Oil 6,8 litres / 7,2 Quarts
Fuel 100 litres / 26,4 U.S. Gal
Hydraulic Oil 85 litres / 22,5 U.S. Gal
Transmission Oil 21,4 litres / 22,2 Quarts

HYDRAULIC SYSTEM

Pump Gear Type System c/w Load Sense Steering Circuit
Filter 25 Micron Replaceable Element
Modular Control Valve c/w Tilt Lock System

ELECTRICAL SYSTEM

Volts 12
Alternator 100 Amp
Instrumentation Full LED Display

BRAKES

Service Hydraulic Multiple Wet Disc
Parking Manual External Disc on Transmission

AXLES

Drive Heavy Duty Outboard Planetary Drive
Steer 2 WD Large 8" x 4" Solid Beam c/w Oversize Center Steer Control and Track Rod Design, Large Tapered Roller Bearing Spindle Wheel Ends
Steer 4 WD High Strength Cast Steel Housing c/w Planetary Drive Wheel Ends and 50° Lock Angle

TIRES

Drive 6,000 lbs and 8,000lbs 169 x 24 - 12 ply lug
 10,000 lbs and 12,000lbs 155 x 25 - 12 ply lug
Steer 6,000 lbs 2WD 11:00 x 16 12 ply
 8,000 lbs to 12,000 lbs 2WD 14 x 17,5 14 ply
 4WD All 14 x 17,5 14 ply lug

STANDARD EQUIPMENT

- 6" Mast Side Shift
- 4 Speed Synchronmesh Transmission
- Power Reverser
- Electric Column Shift
- Tilt & Telescopic Steering Console
- Hydrostatic Power Load Sense Steering
- Safety Start
- Dry Type Air Cleaner
- Retractable Seat Belts
- Height Adjustable Seat
- Digital Touch Screen Display
- Overhead F.O.P.S. Canopy
- Circuit Breakers
- Block Heater
- Manifold Heater
- Heavy Duty Battery
- Anti Freeze -40
- Horn
- Four Work Lights
- Transmission De Clutch
- 14 foot C-Thru Mast
- 48" Carriage 5-6,000 lb
- 60" Carriage 8-12,000 lb
- 48" Forks

OPTIONAL EQUIPMENT

- "Smart Shift" Full Powershift Transmission
- All Steel Ergonomic Cab Assembly
- Mirrors
- Air Conditioning
- Suspension Seat
- Air Ride Seat
- Cold Weather Package
- Vandalism Package
- Rear Tire Fenders
- Overhead R.O.P.S Cab Assembly
- High Air Intake
- Cyclonic Pre-Cleaner
- Power Brakes
- Lift Circuit Cushion Accumulator
- Range of Fork Positioners
- Load Clamp
- Hydraulic Bucket
- Full Range of Attachments
- Twin Pak Dual Pallet Turf Handling System
- Front Fender Extensions