

HELI

CBD20J

Electric Pallet Truck

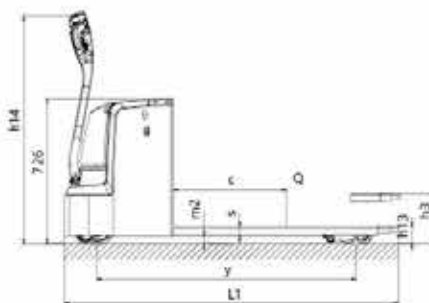
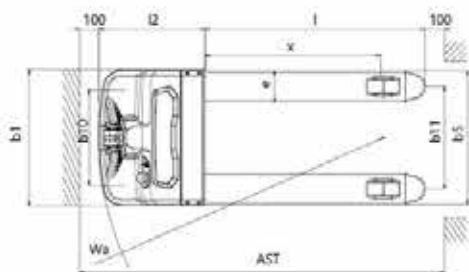
Characteristics:

1. The truck has compact structure and small turning radius and it is suitable for narrow freight elevator.
2. The truck has electric lifting limit function. When the fork arm is lifted to the top position, the system will turn off the lifting circuit automatically which has safe performance, low energy consumption and long service life.
3. Mechanical steering is economy and has high reliability.
4. Split type design of truck body makes maintenance easier.
5. Emergent reversing device ensures operation safety.
6. Auxiliary wheels on two sides improves travelling stability.
7. Objects storage groove on top of truck body is beautiful and functional.



Manufacturer's Data and Design Characteristics

Characteristics			
1.1	Manufacturer		HELI
1.2	Model		CBD20J
1.3	Operator type		Pedestrian
1.4	Rated capacity	Q (kg)	2000
1.5	Lift height	h3 (mm)	200
1.6	Service weight with battery	kg	333
1.7	Load centre	c (mm)	600
1.8	Axle centre to fork face	x (mm)	931
1.9	Wheel base	y (mm)	1324
1.10	Controller		CURTIS
Wheels			
2.1	Wheels type		Polyurethane
2.2	Driving wheel size	Φ × w (mm)	Φ210 × 70
2.3	Bearing wheel size	Φ × w (mm)	Φ80 × 70
2.4	Additional wheels (dimensions)	Φ × w (mm)	Φ100 × 40
2.5	wheels, number front/rear (x - driven)		1x+2/4
2.6	track width, rear, loading side	b11 (mm)	380/525
Dimensions			
3.1	Overall length	l1 (mm)	1708
3.2	Length to fork face	l2 (mm)	558
3.3	Overall width	b1 (mm)	700
3.4	Fork dimensions	s/o/l (mm)	50/160/1150
3.5	Width of forks	b5 (mm)	550/685
3.6	Lowered height	h13 (mm)	85
3.7	Min. Ground clearance	m2 (mm)	35
3.8	Height drawbar in driving position min./max.	h14 (mm)	730/1165
3.9	Aisle width with pallet 1000 x 1200 across forks	AST (mm)	1909
3.10	Aisle width with pallet 800 x 1200 along forks	AST (mm)	1959
3.11	Min. Turning radius	Wa (mm)	1490
Performance			
4.1	Travel speed, with/without load	(km/h)	4.2/4.5
4.2	Lifting speed, with/without load	(mm/s)	20/26
4.3	Lowering speed, with/without load	(mm/s)	33/21
4.4	Max. Gradeability laden/unladen	(%)	3/10
4.5	Service brake type		Electromagnetic brake
Drive and Battery			
5.1	Drive motor, output ≤2 60 min.	(kW)	0.75
5.2	Lift motor rating at ≤3 15%	(kW)	0.8
5.3	Battery according to din 43531/35/36 a,b,c,no		no
5.4	Battery voltage/rated capacity	(V/Ah)	2 × 12/100
5.5	Battery weight (± 5%)	(kg)	2 × 27
Others			
6.1	Type of drive control		DC
6.2	Sound pressure level at driver's ear	(dB(A))	≤70
6.3	Steering type		Mechanical steering



HELI CANADA

5705, place Kubota
Drummondville (Qc)
Canada, J2B 6V4
1-833-HELICAN
info@heliforklift.ca
heliforklift.ca

